



# KleenGard<sup>®</sup>

In-Sink Food Waste Disposer

# CONCERNS ON SOLID WASTES

A health hazard to your family and the environment

There is a problem growing every day in your environment and neighbourhood. Whether it is in your garbage bin, thrash dump or in the landfill, thrash accumulation is a breeding ground for rodents, insects and diseases which can present a health hazard to your family and the environment.

When food waste decomposes in landfills or even thrash dumps, it can create leachate (toxic liquid) which can contaminate our water and the highly flammable methane gas that contributes to global warming.

## SOLUTION

Grinds food waste into small particles

KleenGard Food Waste Disposers fit conveniently under your sink. It grinds food waste into small particles which are then flushed down the sewerage drain.

By significantly reducing wet food waste and the disposal of non-biodegradable plastic bags into our landfills, you are also doing your part to help conserve the environment. KleenGard disposers are economical to operate and in fact, it is among the least expensive kitchen appliance.





# STATISTICS ON MALAYSIAN HOUSEHOLD WASTE



**12,000,000**

Malaysians generated 12 million tons of solid waste in 2013



**60%**

Food Waste



**24%**

Paper



**9%**

Rubber & Plastic

## KLEENGARD CAN DISPOSE MOST FOOD WASTE :

- Chicken Bones
- Fish Bones
- Fish Head
- Egg Shells
- Prawn Shells
- Meat
- Banana Peels
- Vegetables
- Noodles and Rice
- Grapefruit Halves
- Coffee Grounds
- Nut Shells
- Fruits Pits
- Corn Cobs
- Tea Leaves
- Lemon Rinds
- Potato Peels
- Bread





# A CLEANER AND HEALTHIER WAY TO DISPOSE YOUR ORGANIC FOOD WASTE

## WHY KLEENGARD

6 reasons why you should choose KleenGard



### EZ MOUNT SYSTEM

Fast and easy mount system provides a hassle-free installation.



### PERMANENT MAGNET MOTORS

High torque motor that produces more power per pound than any other disposer.



### CORROSION PROOF

Lifetime warranty against failure due to corrosion.



### REMOVABLE SPLASH GUARD

Removable splash guard, ideal for easy cleaning and replacement.



5.2kg

### COMPACT AND LIGHTWEIGHT

Smaller & lighter than most conventional AC motor disposers by using space-age high tech components.

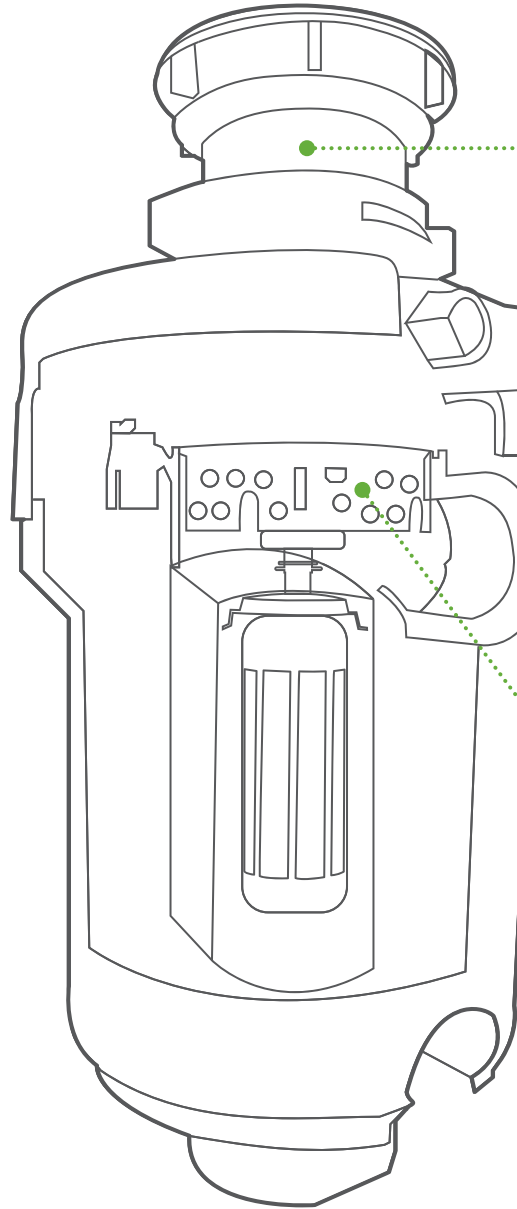


### USA TECHNOLOGY

Latest design and precision engineering from USA.



# UNIQUE WITH OUTSTANDING BENEFITS





## SILVER GUARD

The magnetic Silver Guard captures most metal objects from falling into the disposer chamber. This protective feature helps prevent damage to valuable cutlery. It also helps prevent damage to the disposer as well as expensive repairs caused by metal objects falling into the disposer.



## BIO SHIELD

Antimicrobial Disposers are treated with an antimicrobial agent molded inside to reduce odour causing bacteria growth.



## TORQUE MASTER

The Torque Master grinding system is a combination of computer designed and balanced components at 4000rpm, working in unison to provide superior torque grind speed and long system life.

# PRODUCTS

## In-sink Food Waste Disposer



### SD 500 HEAVY DUTY

Suitable for apartments and condominiums. No more messy trash spills and unpleasant odours.



### SD 750 DELUXE

Designed for terrace and superlink homes. Spend more time with family than washing up before and after meals.



### SD 1250 PREMIUM

Ultimate disposer with extreme torque made for semi detached and bungalows.

# ACCESSORIES



### COMPLETE WITH KG-A05 REMOTE CONTROL

Simply plug the transceiver into any normal wall socket and with the remote, you have control of your disposer from across the room- or the other side of the house.



### KG-A01 MULTI-PURPOSE SCRAPER

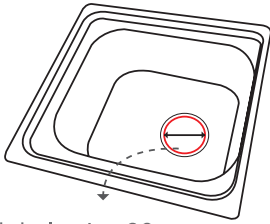
A multi-purpose disposer tool that functions as scaper, plunger, cutlery guard and stopper.



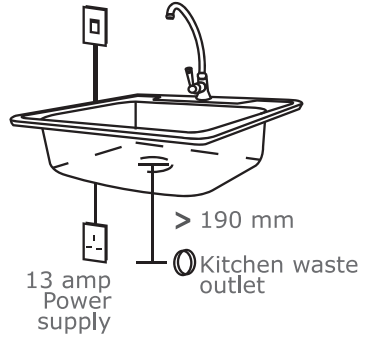
# INSTALLATION REQUIREMENT

## Types of sinks

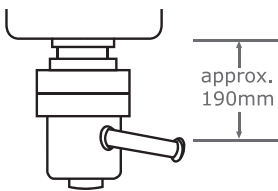
- Granite
- Solid Surface
- Stainless Steel



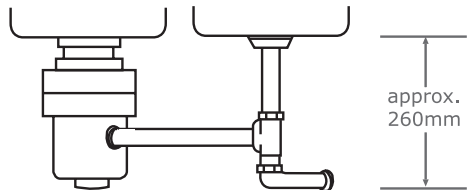
Sink hole size 90mm



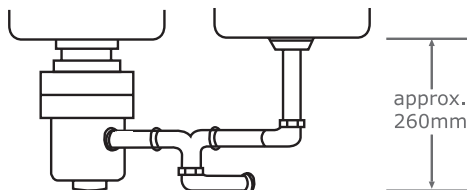
### Single Bowl



### Double Bowl End Outlet



### Double Bowl Center Outlet



# PROJECT PORTFOLIO IN MALAYSIA



**DUTA NUSANTARA - SP SETIA**



**UPPER EAST - MUTIARA GOODYEAR BHD**



**DAMAI 88 - SOLID PROMENADE**



**QUADRO RESIDENCES, KLCC - MONOLAND CORPORATION**



**LUMINA KIARA - ECH**



**IDAMAN RESIDENCES - TA PROPERTIES**



## ★ KEY PROJECT



An iconic high-end development designed by Jean Nouvel, every unit's kitchen is equipped with an air-switch enabled KleenGard SD-500.

# PROJECT PORTFOLIO IN MALAYSIA



**THE RESIDENCES KLCC - TROPICANA CORPORATION BERHAD**



**BUNGALOWS BANDAR ENTESK - TABUNG HAJI**



**Z RESIDENCE - TRINITY GROUP**



**ST MARY RESIDENCES - EGO**



**THE ZEST - TRINITY GROUP**



**VIPOD RESIDENCES - MONOLAND CORPORATION**



**THE LOFT, KK TIMES SQUARE II - ASIAN PAC**



**IDAMANSARA - E&O**



**SOHO SUITES, KLCC - MONOLAND CORPORATION**

## ★ KEY PROJECT



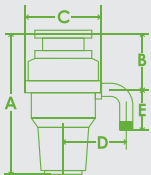
**THE MEWS - E&O**

Super luxury condominium by one of Malaysia's finest developer, KleenGard was chosen as the brand of choice for their kitchen waste disposer.

# SPECIFICATIONS

	SD 500	SD 750	SD 1250
<b>Horsepower</b>	1/2 HP	3/4 HP	1 1/4 HP
<b>Motor Speed RPM</b>	4000 RPM	4000 RPM	4200 RPM
<b>Voltage</b>	220-240v	220-240v	220-240v
<b>AMPS</b>	2.25	3.25	5.0
<b>Cycles</b>	50/Hz	50/Hz	50/Hz
<b>Motor Type</b>	Permanent magnet	Permanent magnet	Permanent magnet
<b>Splash Guard</b>	Rubber	Rubber	Rubber
<b>Drain Outlet</b>	Polycarbonate 940	Polycarbonate 940	Polycarbonate 940
<b>Grind Ring</b>	Stainless Steel	Stainless Steel	Stainless Steel
<b>Swivel Impellers</b>	Cast Stainless Steel	Cast Stainless Steel	Cast Stainless Steel
<b>Balanced Turntable</b>	Stainless Steel	Stainless Steel	Stainless Steel
<b>Balanced Armature Shaft</b>	Stainless Steel	Stainless Steel	Stainless Steel
<b>Hopper</b>	Polycarbonate 940	Polycarbonate 940	Polycarbonate 940
<b>Drain Housing</b>	Phenolic EA-5551J	Phenolic EA-5551J	Phenolic EA-5551J
<b>Appliance Protector</b>	Manual Reset	Manual Reset	Manual Reset
<b>Sink Flange</b>	Polycarbonate 940	Polycarbonate 940	Polycarbonate 940
<b>Stopper</b>	ABS	ABS	ABS
<b>Bearings</b>	Permanently Lubricated	Permanently Lubricated	Permanently Lubricated
<b>Sound Shell</b>	Full	Full	Full
<b>Unit Weight</b>	4.3 kg	5.2 kg	6.3kg
<b>Warranty</b>	3 Years	3 Years	3 Years

	SD 500	SD 750	SD 1250
<b>A</b>	379mm	406mm	430mm
<b>B</b>	184mm	184mm	187mm
<b>C</b>	215mm	215mm	202mm
<b>D</b>	139mm White Elbow 143mm Black Elbow	139mm White Elbow 143mm Black Elbow	145mm
<b>E</b>	70mm White Elbow 100mm Black Elbow	70mm White Elbow 100mm Black Elbow	93mm



All specifications are subject to change without prior notice

\*\* Terms & Conditions Apply



## LET US DO OUR PART

Most people don't realize how much food they throw away every day - from uneaten leftovers to spoiled produce. About 95 percent of the food we throw away ends up in landfills. In 2013, we disposed more than 12 million tons of food waste per year and up to 60% of those are food waste. Once in landfills, food breaks down to produce leachate and methane, a toxic liquid that pollutes our water source and a potent greenhouse gas which contributes to climate change.

Use a food waste disposer and help reduce the amount of food being disposed into the landfill. Removing all that food waste in the landfill will definitely keep our rivers cleaner and its carbon emission is equivalent to removing 1,800,000 cars from our road!



## AIREGARD (INDIA) PVT. LTD.

Plot No.4-A, Lane No.2, Rampura  
Road, Opp. Gill Farm, G.T. Road,  
Daburji, Amritsar, Punjab ( 143001 )

 +917783999222

 +917783999555

 [info@airegardindia.com](mailto:info@airegardindia.com)

 [www.airegardindia.co.in](http://www.airegardindia.co.in)